

ES2000



EN 54-3
EN 54-17
EN 54-23



0051
0051-CPR-1316
0051-CPR-1317

ANALOGUE ADDRESSABLE VISUAL/AUDIBLE ALARM INDICATORS, WALL MOUNT



ES20x0RE

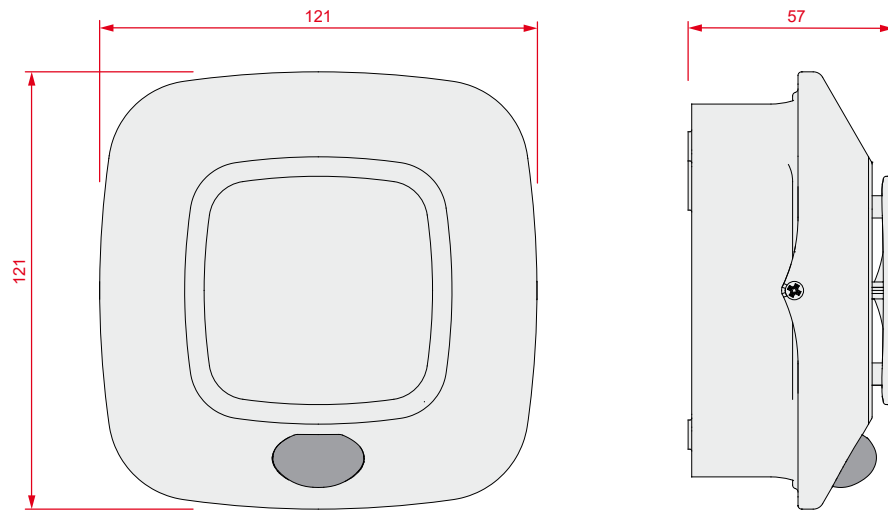
ES20x0WE

Addressable visual/audible-alarm indicators for wall mounting, IP65 protection rated.

Volume, flash intensity and sound sequences can be selected via the control panel from the 14 tones on-board the device (and 16 voice messages available in 8 different languages, only for versions with the voice function). For models with the voice function, it is also possible to customize tones/voice messages by means of the EITK2000.

The device is powered via the loop but is equipped with terminals for an optional separate power input.

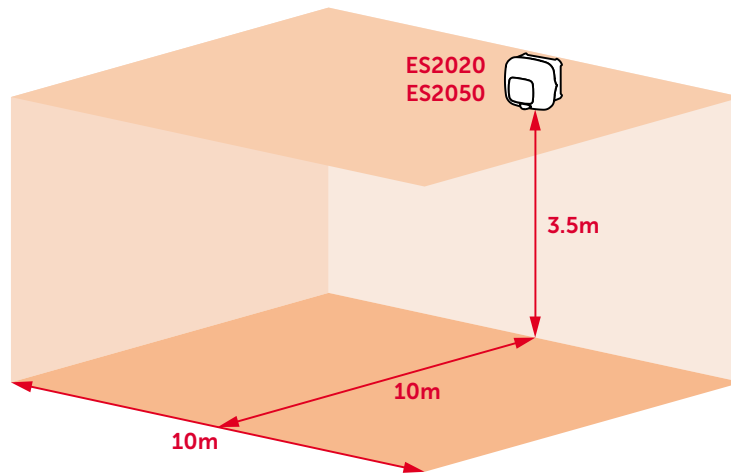
Available in red or white casing.



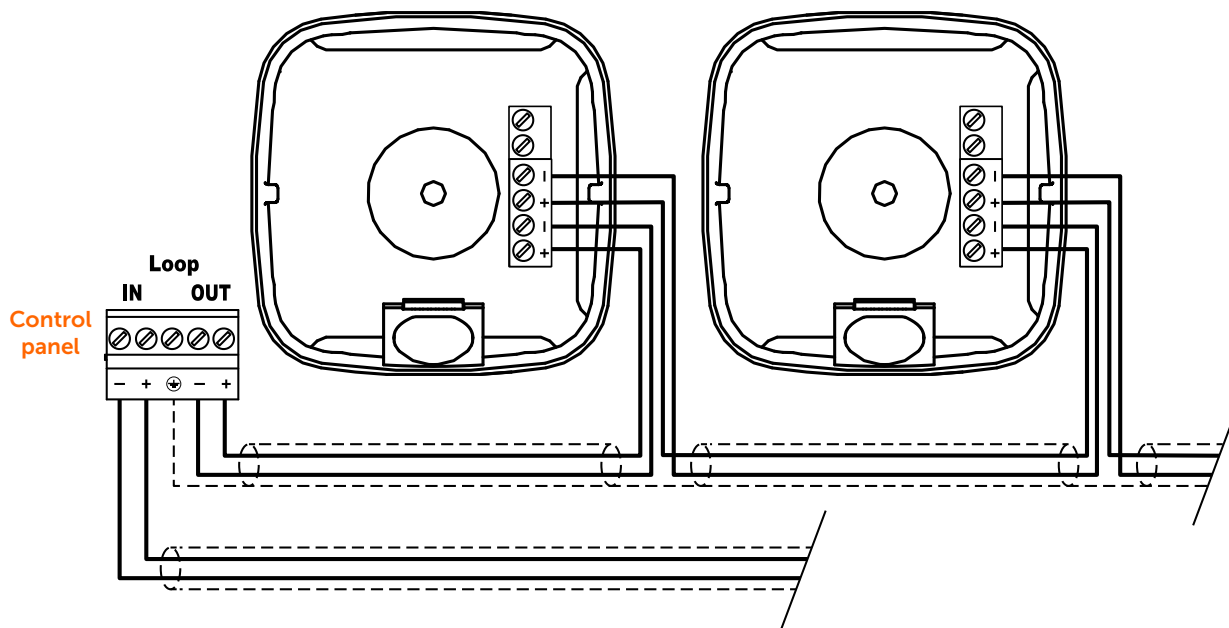
Main features

	ES2010	ES2020	ES2030	ES2050
Operating voltage	from 18 to 30V $\overline{\text{---}}$			
Stand-by current draw	200 μ A			
Maximum current draw	25mA	40mA	25mA	40mA
Installation method	Wall mount			
Maximum installation height	-	3.5m	-	3.5m
Light coverage according to EN54-23	-	W 3,5-10	-	W 3,5-10
Flash frequency	-	0.5Hz	-	0.5Hz
Flash color	-	White	-	White
Number of selectable tones	14		104	
Sound pressure at 1mt	98dB			
IP Protection grade	IP65 (IP21 EN54-3 certified)			
Operating temperature	from -10 to 55°C			
Synchronization	Yes			
Multicolor indicating LED	Yes			
Built-in short-circuit isolator (EN54-17)	Yes			
Dimensions	121 x 121 x 57mm			
Weight	150g			

FLASH COVERAGE VOLUME



CONFIGURATION DIAGRAM



ORDER CODES

- ES2010RE** Audible alarm indicator, addressable, in red casing
- ES2010WE** Audible alarm indicator, addressable, in white casing
- ES2020RE** Visual/Audible alarm indicator, addressable, in red casing
- ES2020WE** Visual/Audible alarm indicator, addressable, in white casing
- ES2030RE** Audible alarm indicator with voice alert, addressable, in red casing
- ES2030WE** Audible alarm indicator with voice alert, addressable, in white casing
- ES2050RE** Visual/Audible alarm indicator with voice alert, addressable, in red casing
- ES2050WE** Visual/Audible alarm indicator with voice alert, addressable, in white casing